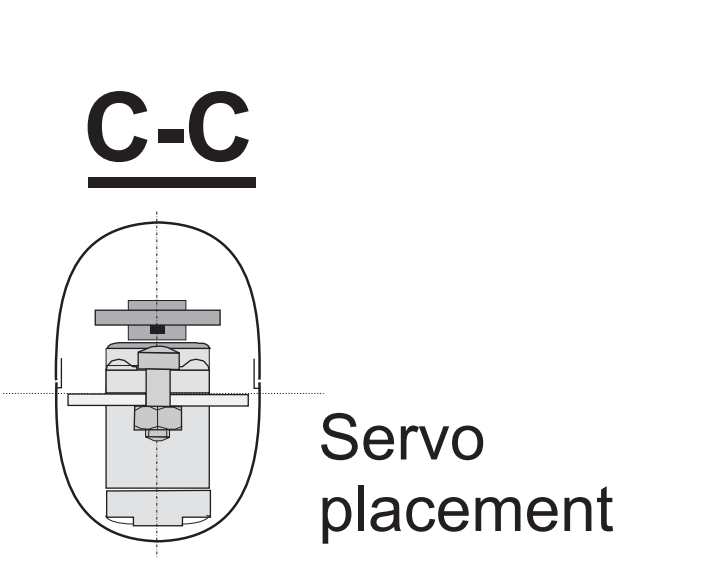
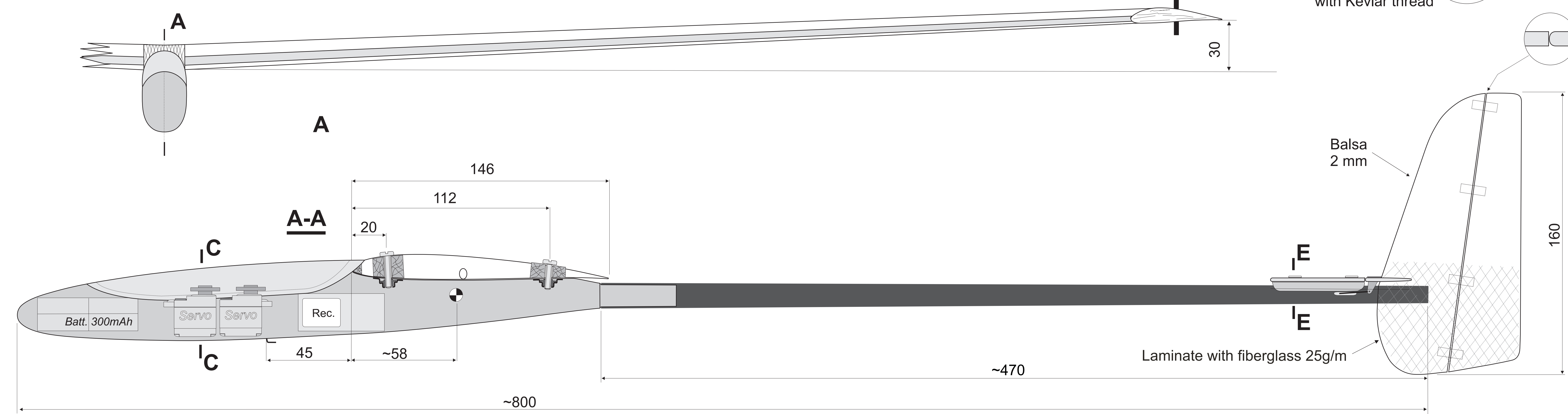
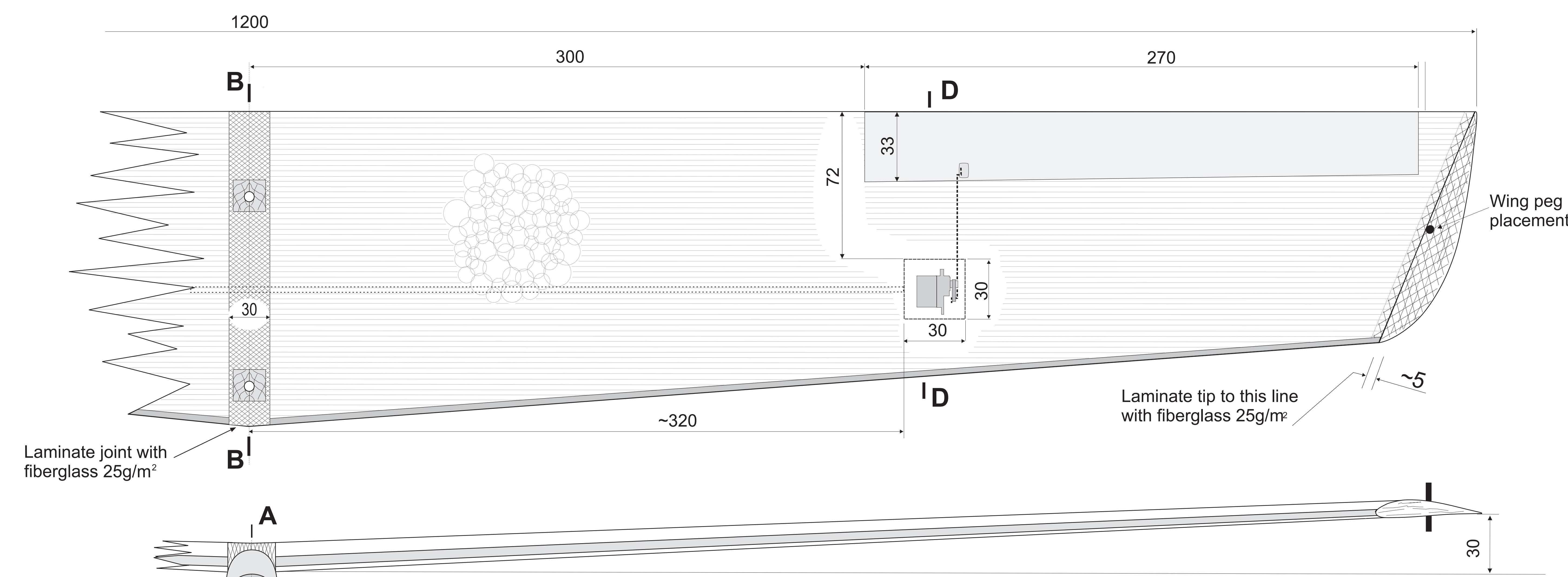
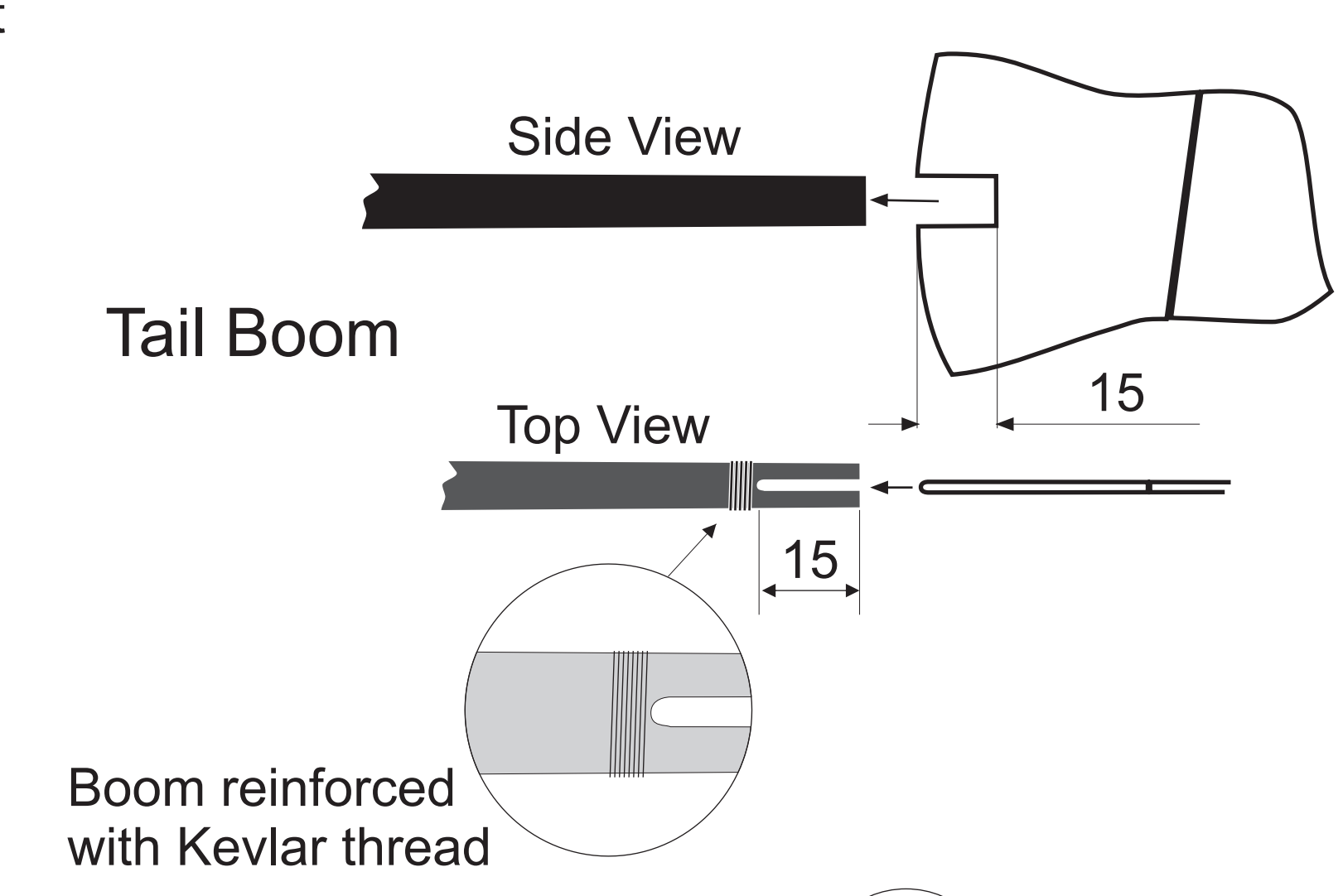
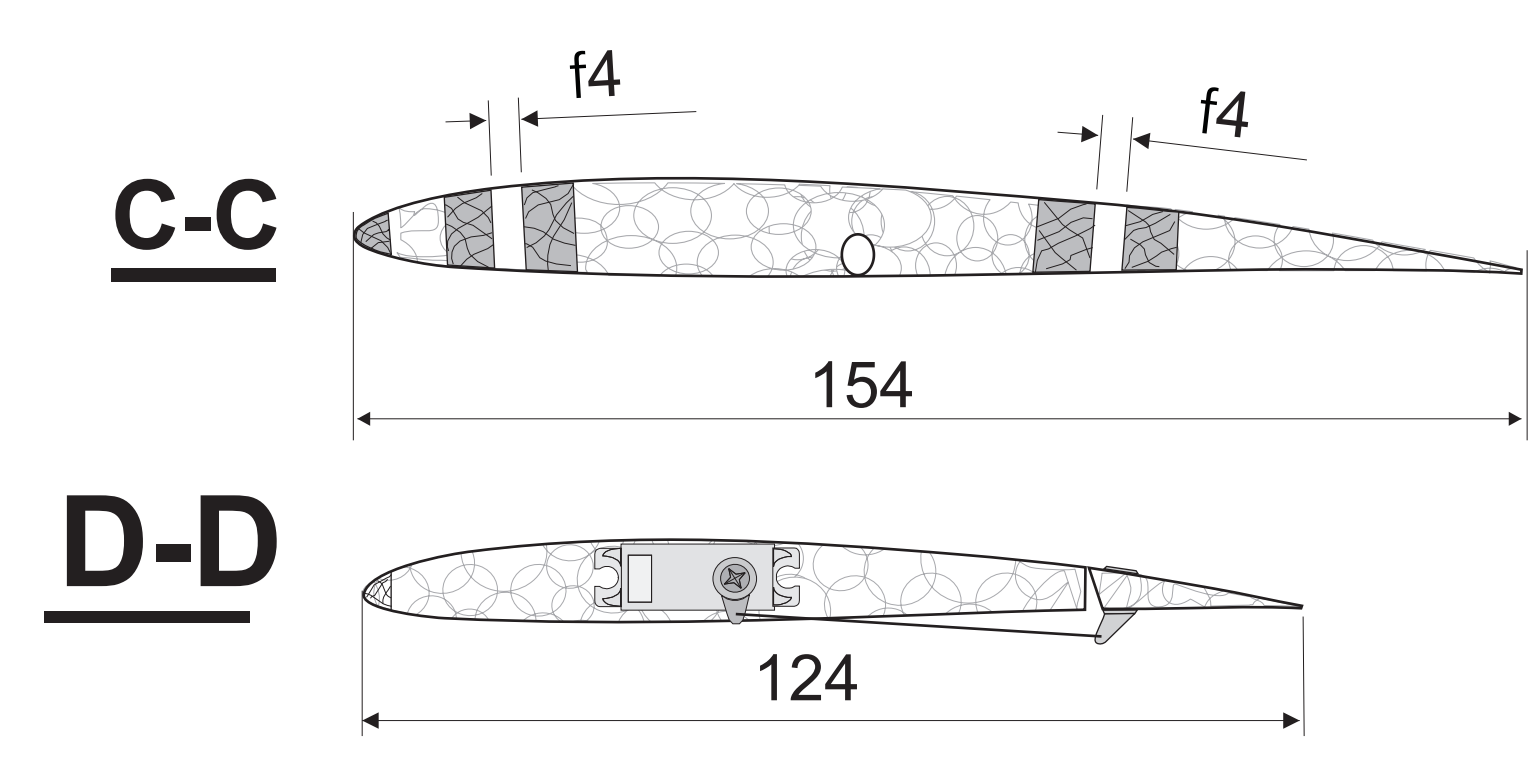


Profile HN1033 modified



Tow Hook placement for "Sling Shot" launching technique

